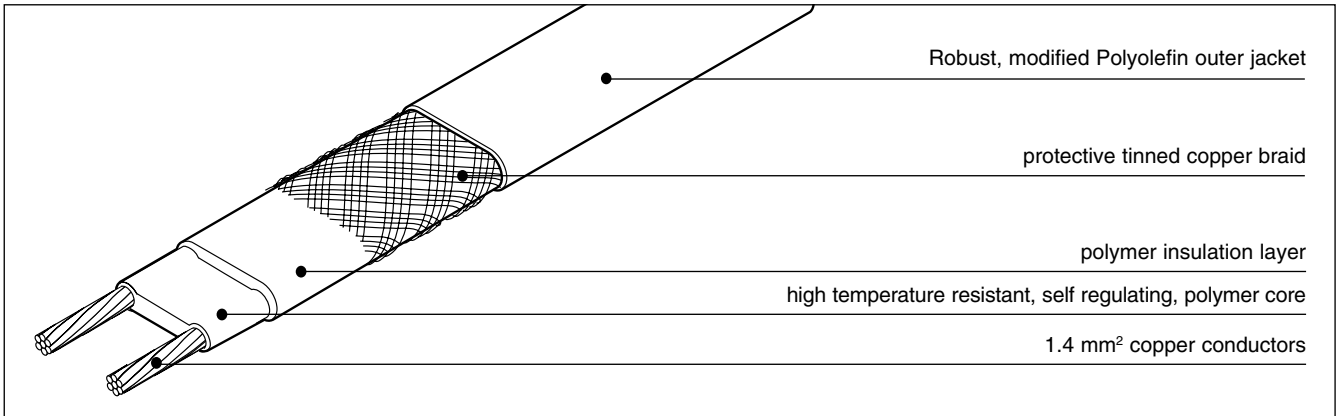


Advanced frost protection of central heating pipework

High Temperature resistant Self Regulating heating cable system FS-C10-2X

The FS-C10-2X self regulating heating cable protects pipes against frost damage. The cable is installed on the pipe under the insulation. It is designed for indoor and outdoor installation. FS-C10-2X is available with a power output of 10W/m at 5°C. Its unique design combines high temperature resistance with long circuit lengths.

Construction



Product features

- Cut to length.
- High temperature resistance to 90°C.
- Long circuit length capability from a single power supply.
- Reduced total installed costs.
- Zero maintenance once installed.
- No risk of overheating due to self regulating characteristics.
- For use with Raychem "Smart" energy efficient controls.

Technical specification

Nominal Voltage	230 Vac
Nominal Power Output	10 W/m at 5°C.
C Type Circuit breaker sizing	20A
Max. Circuit length	180 m
Minimum Bend Radius	10 mm
Max. continuous exposure Temperature	90°C
Max. exposure temperature (power-on condition - 800 hours cumulative.)	90°C
Dimensions (Width & Height)	16 x 6.8
Weight	0.14 kg/m
Approvals	CE, VDE (VDE pending)
Associated Controls	RAYSTAT-CONTROL-10
Associated Accessories	JB-16-02 Junction Box JB-SB-08 Junction box support bracket CE20-01 connection and end seal kit (M20 gland) CE25-21 connection and end seal kit (M25 gland) CCE-04-CT cold lead connection and end seal kit. S-19 Splice kit.

Recommended: RAYSTAT-CONTROL-10 Smart line sensing control
Or: AT-TS-14 line sensing control (for circuits up to 150 m)